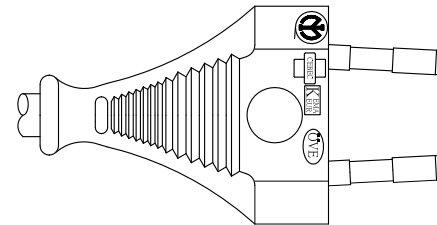
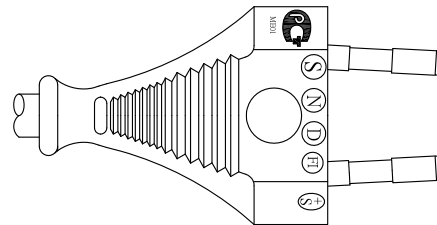
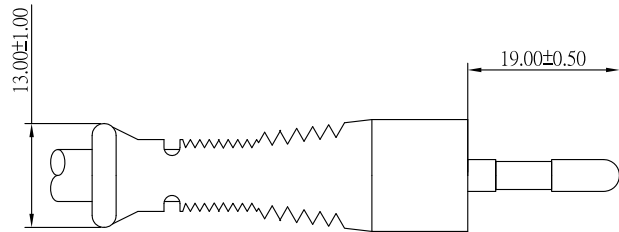
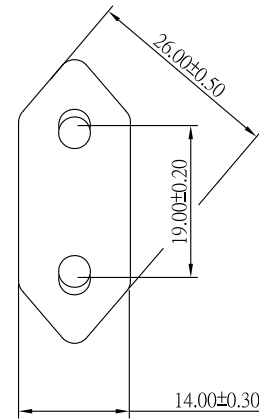
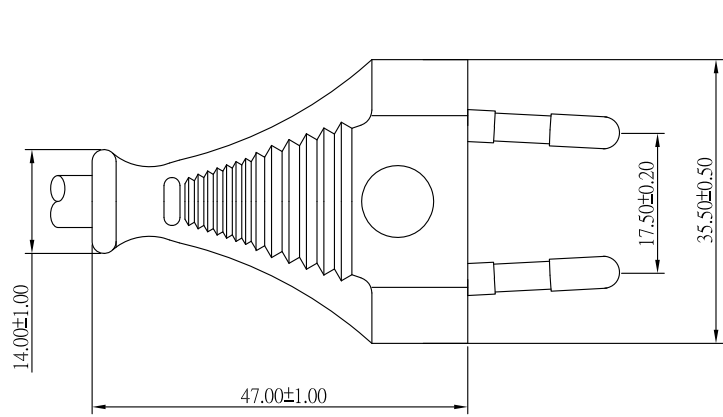


DRAWING NO
RD03P0032

DRAWING



 CHING CHENG WIRE MATERIAL CO.,LTD

TYPE	EL-207(CEE 7XVI)		
SCALE	1:1	REVISION	1.0
UNIT	mm	DATE	2012.04.23
APPROVED	ZXC	DRAWING	LFM
		CHECK	

2					
1					
ITEM	BEFORE CHANGE	AFTER CHANGE	DATE	REVISOR	CHECK