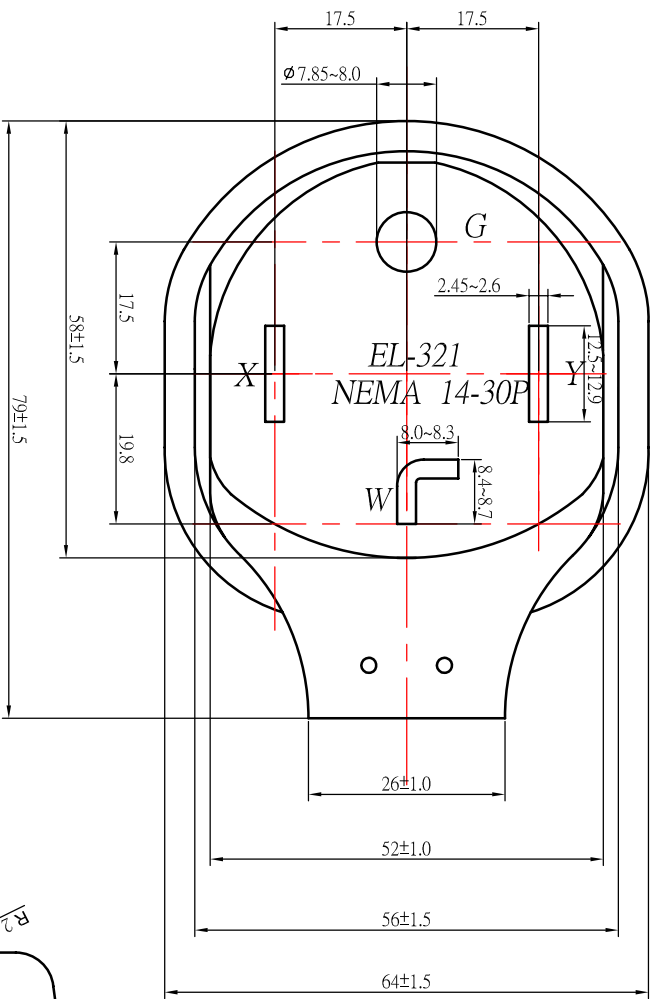


DRAW NO.

RD05P0096-6

工程圖 (二)



BLACK

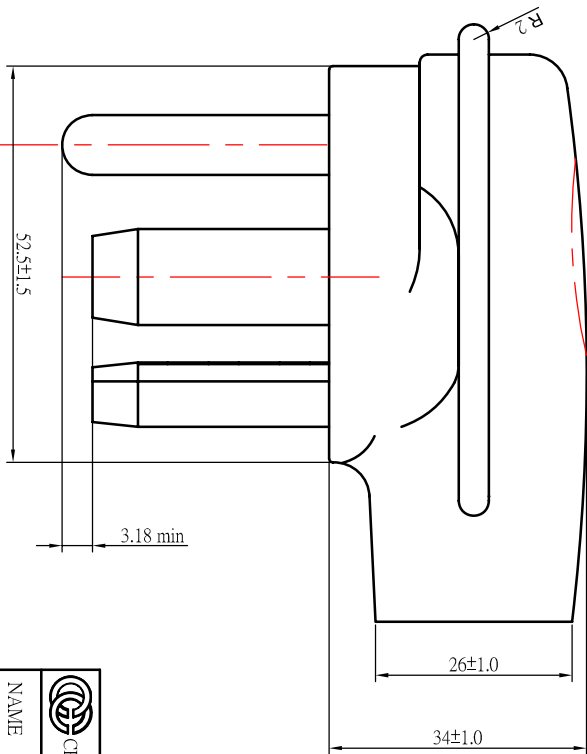
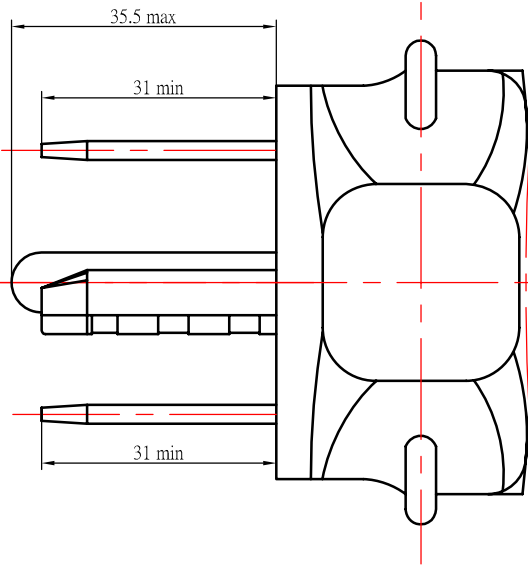
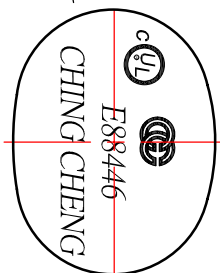
Y —

GREEN — G

W — WHITE

RED — X

LETTERING



ITEM	REVISION	DATE

		CHING CHENG WIRE MATERIAL CO., LTD	
NAME	EL-321 (NEMA 14-30P)	REV NO.	1.0
SCALE	1:1	DATE	2008.04.02
UNIT	MM	DRAWING BY	王啓芳
APPROVED BY	左茂超	CHECK BY	